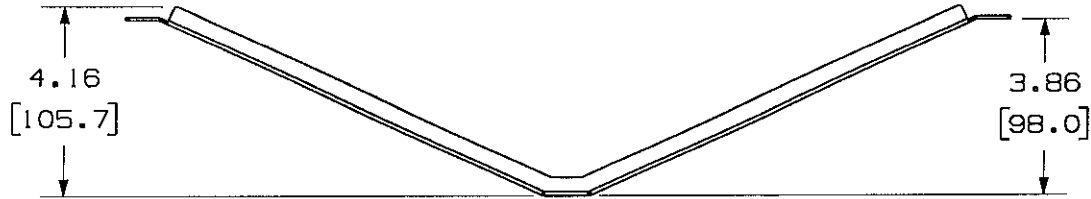


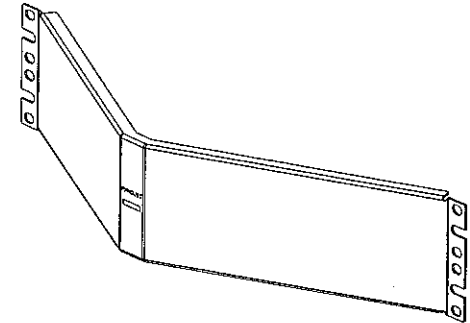
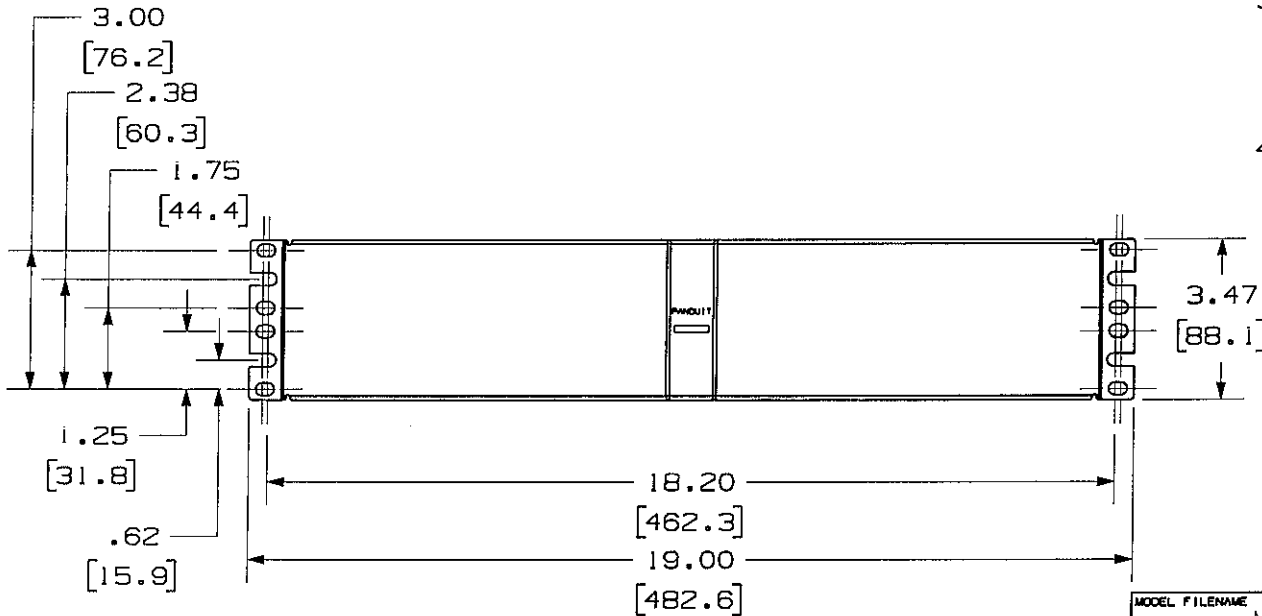
THIS COPY IS PROVIDED ON A RESTRICTED BASIS AND IS NOT TO BE USED IN ANY WAY DETRIMENTAL TO THE INTERESTS OF PANDUIT CORP.

PANDUIT P/N	WEIGHT
CPAF2BLY	14.05 LB/10 PCS (6373.2 g/10 PCS)



NOTES:

- SEE CURRENT CATALOG FOR VARIOUS APPLICATIONS WITH THIS WIRING SYSTEM.
- THE FILLER PANEL IS DESIGNED FOR MOUNTING TO 19" UNIVERSAL RACKS.
- PACKAGE CONTENTS:  
 (1) - ANGLED FILLER PANEL STAMPING  
 (1) - SCREW KIT (INCLUDES FOUR #12-24 SCREWS)  
 (1) - SCREW KIT (INCLUDES FOUR M6 SCREWS)
- DIMENSIONS IN PARENTHESIS ARE IN METRIC.



MODEL FILENAME	MO1661BB_CPAF2BL_00.PRT	SIZE	A
DRAWING FILENAME	MO2479DD_DC84_00A.PRT		

NETWORK SYSTEMS  
 MAY 25 2006  
 ENGINEERING DEPT

ANGLED 2 RACK UNIT FILLER PANEL  
 CUSTOMER DRAWING

 PANDUIT™ TINLEY PARK, ILL 60477 ALL DIMENSIONS ARE GIVEN IN INCHES, UNLESS OTHERWISE SPECIFIED. DIMENSIONAL TOLERANCES ARE: (.X) ± .031(.8) ANGLES ± (.XXX) ± .010(.3) THIRD ANGLE PROJECTION	I.I. NUMBER	N/A
	PRODUCT SPEC	N/A
	WORK INSTRUCTION	N/A
	SCALE	NONE
DRAWN BY JsP	MATERIAL:	PART NO. CPAF2BLY
DATE 3-11-06	16 GAGE C.R.S.	DRAWING NO. 02479-084

REV	DATE	BY	CHK	DESCRIPTION	ECN	R	CUST	SUP	OTH
R	3-11-06	JsP	MJD	RELEASED TO PRODUCTION	02479-084				